

3001

Plug-in-thermostat and slave modules

Glamox® | Heating

Description

3001 heaters are designed for a plug-in thermostat. Choose between many different thermostats and slave modules.

- DT - Digital plug-in thermostat with programmable weekly or daily setting.
- DTV - Digital plug-in thermostat with IP24 (splashproof)
- SLA 230 - Slave module for 230V signal input. Must be connected to 230 or 400V mains supply.
- SLA 5/24 - Slave module for low voltage input for 230 and 400V
- SLX - Slave module for thermostat-controlled heaters on 230 and 400V mains supply.
- EIB - Slave module that can be controlled by the universal EIB interface. Must be connected to 230 or 400V mains supply.



For more details: see Technical Description or graphic menu for details of system solutions.

Technical Description

A Triac is built-in to all 3001 radiators. They must have voltage supplied to activate the heating element either through a plug-in thermostat or a slave module.

DT thermostat

DT is a digital, programmable thermostat. DT has day/week function making it possible to adjust the temperature depending on day and time. DT has open window detection, and goes into anti-freeze mode or returns to normal when the window is closed. The temperature can be calibrated on DT if it does not match that ambient temperature in the room. It also features adaptive start, which controls the time the radiator activates to reach the desired temperature at a given time.

DTV thermostat

DTV has the same functions as the DT, but is IP24 approved (splashproof).

SLX Slave module

SLX is a plug-in module that makes standard Glamox Heating 3001 heaters into pure slave heaters. Adjustment is made from a centrally-located room thermostat (mechanical or electronic). When the room thermostat cuts in or out, radiators with SLX will cut in or out accordingly.

SLA 230 Slave module

SLA 230 is for 230V signal input. Separate signal cable is connected to the rear of SLA 230. The module will turn on the radiator when it receives a signal of 230V AC.

SLA 5/24 Slave module

SLA 5/24 is a plug-in module for low voltage signal. Separate control input on the rear of SLA 5/24. The module will turn on the radiator when it receives a signal of 5-24 volt AC or DC. For use on master thermostats or other controllers with output signal equivalent to SLA 5/24.

EIB Slave module

EIB is used for a radiator to be able to be regulated by the universal interface (ABB) US/U 2.2 (two channels) and US/U 4.2 (four channels). When a signal in the voltage range 3.5V - 5V is applied to the EIB slave's input, the heating element will activate, and continue to heat as long as the signal voltage is present. Must be connected to mains supply.

3001

Plug-in-thermostat and slave modules

Glamox® | Heating



DT Digital thermostat/
DTV Digital thermostat IP24



SLX Slave module



EIB Slave module



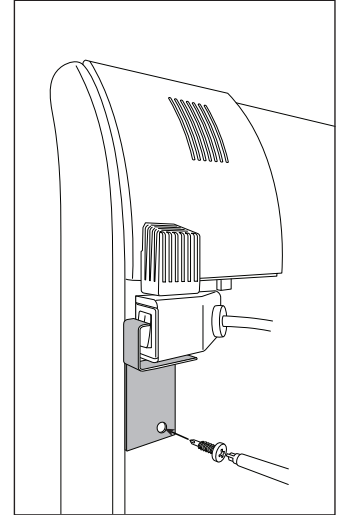
SLA 230 Slave module



SLA 5/24 Slave module



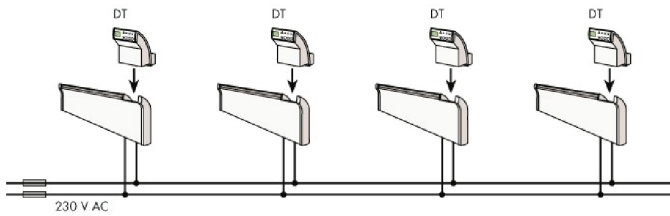
Thermostat cover for 3001



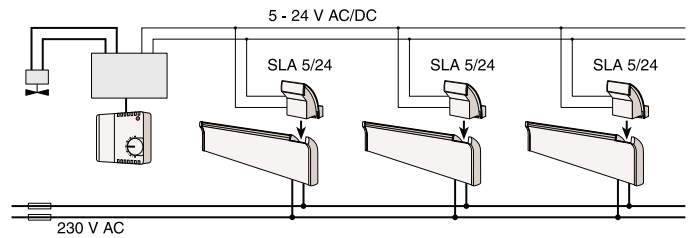
Switch lock cover for 3001

System solutions

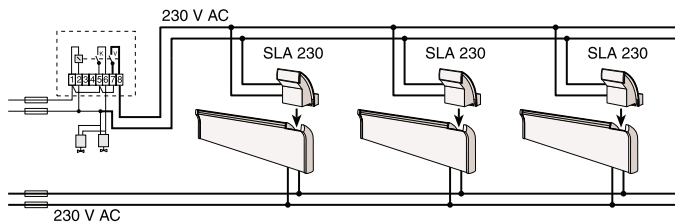
System solution DT/DTV



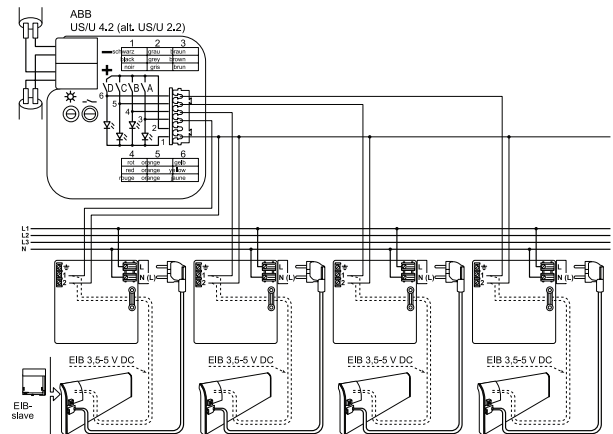
System solution SLA 5/24



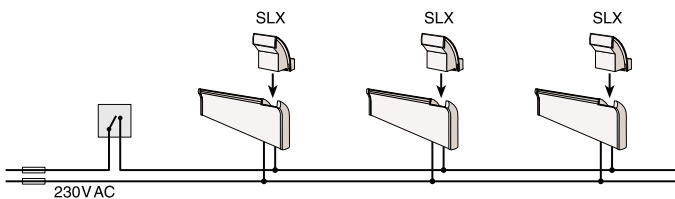
System solution SLA 230



System solution EIB



System solution SLX



Produced by: Adax AS, Myhres gate 1, 3061 Svelvik, Norway. www.glamoxheating.com

3001

Plug-in-thermostat and slave modules

Glamox® | Heating

3001 Thermostats

Thermostater	Art.no. 230V	El.no. 230V
DT2 Digital thermostat 230V	755222410	5428456
DTV2 Digital thermostat splashproof (IP24) 230V	910035	5428458
SLA 230V Slave module	755222430	5428460
SLA 5/24 Slave module 230/400V	755222432	5428461
SLX2 230V Slave module	755222470	5428462
EIB Slave module	912400	5428464